

# How Do You Make Nutrition Rice/Artificial Rice And Golden Rice

Introducción detallada :

## 1.What Is Nutrition Rice/Artificial Rice And Golden Rice

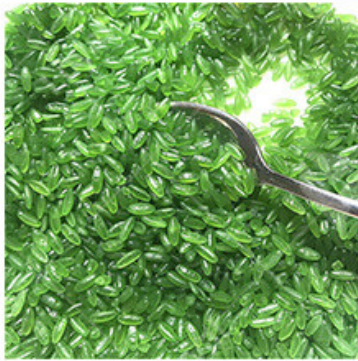
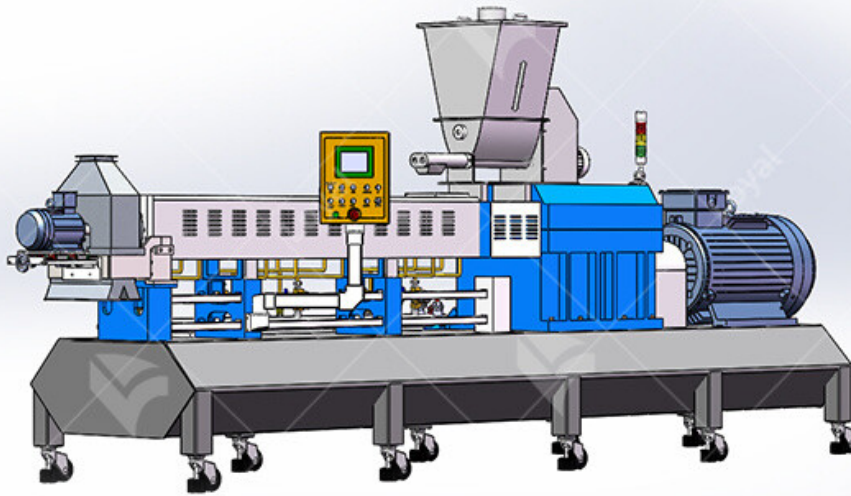
Nutritional rice production line is based on food nutritional demand and advanced technology. It has advantages of high automatic and saving energy. This production line can adopt rice, millet, black rice, buckwheat etc. as main materials. Then it can be treated with vitamins, protein and mineral substances. Through the processes of extruding, cooking and shaping, the material can be made to reinforced rice, golden rice, buckwheat rice, etc. The cooking method is same as natural rice. Even more, it is easier and more convenient.



The line can use rice, millet, black rice and buckwheat as the main raw materials. Then it can be treated with vitamins, proteins and mineral substances. After the process of extrusion, steaming and forming, it can be made into reinforced rice, golden rice, buckwheat rice, etc. The steaming method is the same as that of natural rice. Cooking is the same as natural rice, or even easier and more convenient.

## 2. How To Make Nutrition Rice/Artificial Rice And Golden Rice

Flow Chart Grinder ---Mixer ---Screw Conveyor ---Extruder ---Vibrate Cooler ---Air Conveyor ---Oven ---drum Polishing Machine ---Cooler



- 1 Grinder: grinding rice or grains into powder
- 2 Mixer: Mix the crushed raw materials well and add the required nutrients in this step.
- 3 Extruder: the raw materials are cooked and shaped by high temperature and pressure inside the water-cooled to control the temperature, so that the nutritious rice is cooked but not puffed.
- 4 Oven: Through multi-layer belt dryer, the product is dried by using hot air circulation system, which extend the shelf life of food.
- 5 Cooler: horizontal conveying with fan to cool the product. After cooling, the food is ready to be packed and sold.

## 3. What Is Nutrition Rice/Artificial Rice And Golden Rice Automatic Process Line Parameter

| Model | Electric Heating Installed Power | Gas Installed Power | Output      | Size              |
|-------|----------------------------------|---------------------|-------------|-------------------|
| LY70  | 120kw                            | 83kw                | 150-200kg/h | 33000*1200*2500mm |
| LY75  | 180kw                            | 110kw               | 180-220kg/h | 34000*1400*2800mm |
| LY80  | 240kw                            | 176kw               | 220-260kg/h | 48000*1400*3200mm |

|      |       |       |             |                   |
|------|-------|-------|-------------|-------------------|
| LY90 | 350kw | 230kw | 300-350kg/h | 54000*2500*3800mm |
|------|-------|-------|-------------|-------------------|

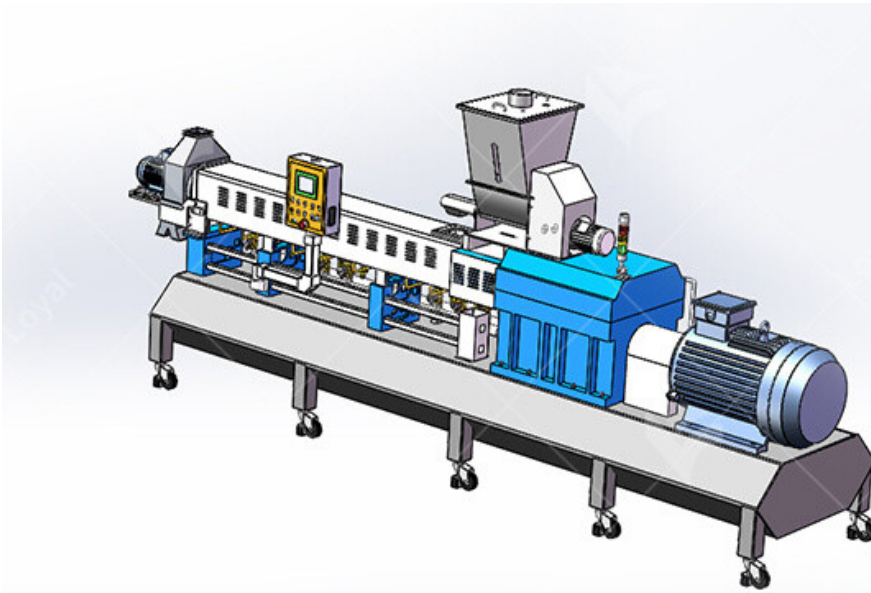


#### 4. What Is Nutrition Rice/Artificial Rice And Golden Rice Automatic Process Line Advantage

|                                |  |
|--------------------------------|--|
| Gearbox                        | Processed by internationally advanced process technology, ensuring the machines run in long time without malfunction.  |
| Lubrication and cooling system | Adopts refined filtration forced cooling, creating best working conditions for the bearings.   |
| Feeding system                 | Adopts double spiral forced feeding, feeding uniformly and widely.   |
| Screw                          | Segmented combined screw, suitable for a wide range of raw materials. With self-cleaning function.   |
| Rotary cutting device          | Adopts a suspended mold (knife) assembly and a linear bearing tool adjusting device to adjust the tool safely, accurately and quickly.                         |
| Oven                           | Circulation drying process, the moisture difference of the dried product is small, and the drying effect is good. Energy can be gas heating and steam heating. |

#### 5. What Is Nutrition Rice/Artificial Rice And Golden Rice Automatic Process Line Application

The nutritious rice production line prevents the loss of nutrients and creates nutrient-rich fortified rice



Nutritious rice production technology not only preserves the original shape of ordinary rice, but also various vitamins and minerals in proportion.

After drying, various kinds of nutritionally fortified rice can be processed into instant self-heating rice drying microwave treatment and can be consumed by steaming for ten minutes.

Changing the recipe can also produce instant products such as convenient porridge.